

# Masterpiece Module Kits

## N T-trak Module Kit Assembly Instructions

For tips, watch Instructional Video at <http://www.youtube.com/watch?v=fKleBFFclaU>

Tools Required – flat, sturdy work surface

Quality grade wood glue such as Tite Bond III

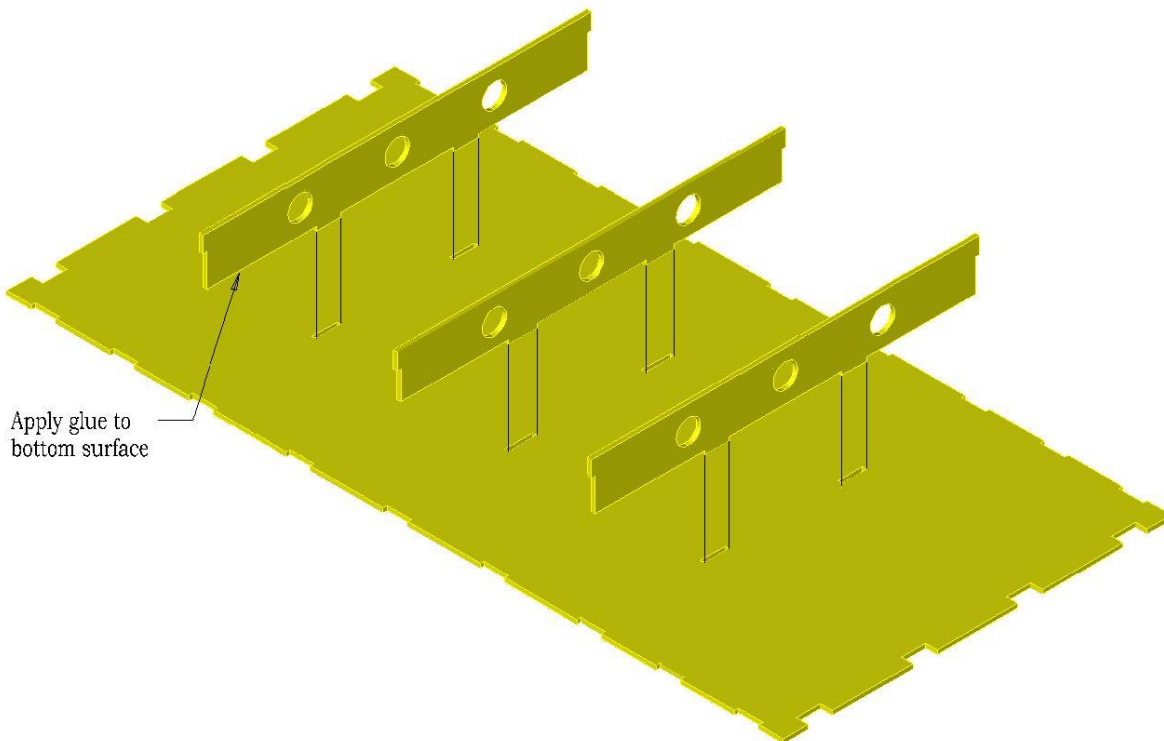
Hammer or mallet and wood block

DO NOT press pieces together before gluing. All pieces are cut on a CNC router and are a precision press fit. Assembling them without glue to check the fit may seem like a good idea, but when you try to disassemble to add glue, you risk delaminating parts of the plywood.

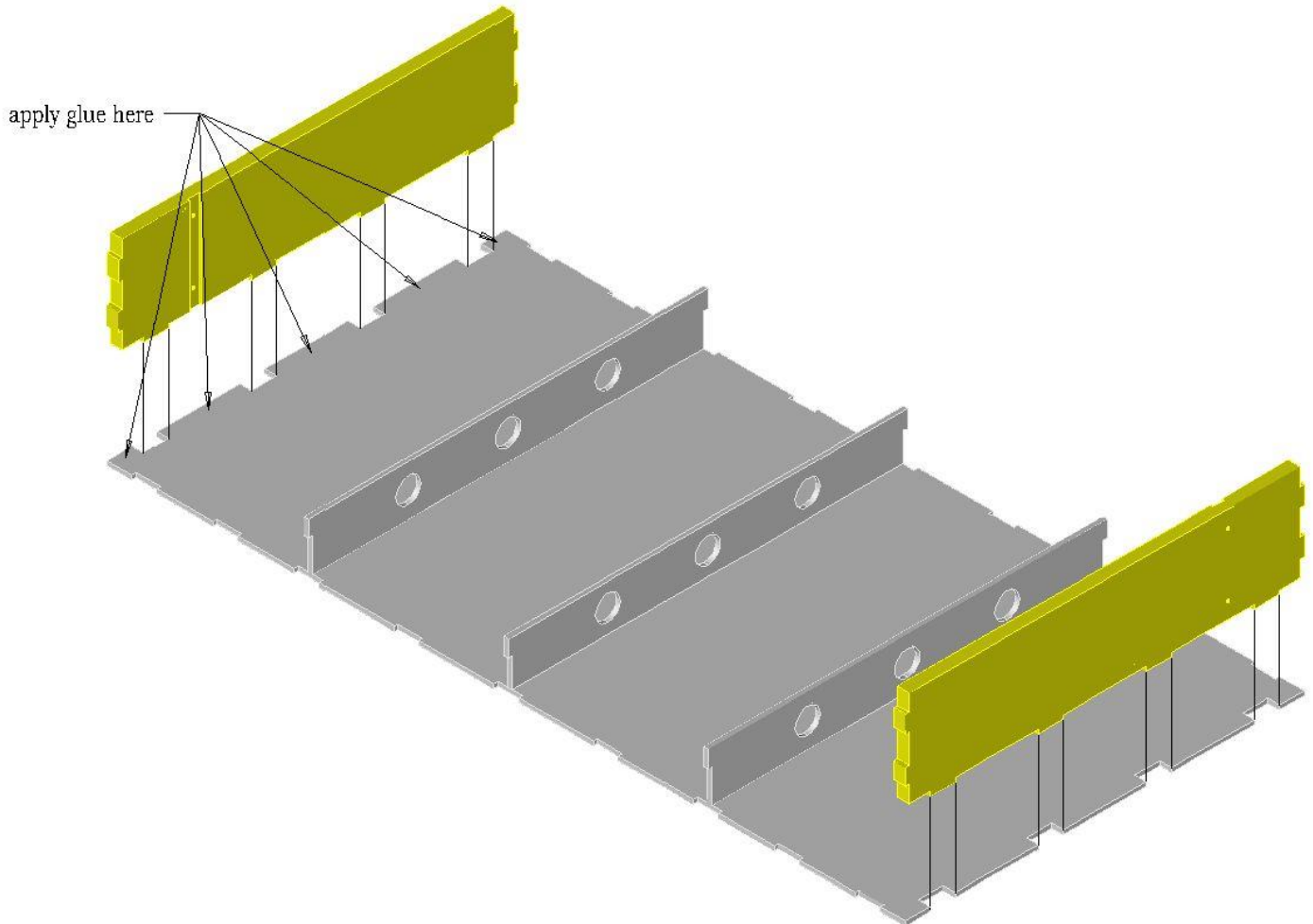
When using a hammer, place a block of wood on the module components as a buffer, tapping on the block of wood rather than the module components. This will prevent the hammer from marring the module component surface. Also, make sure the module is supported by a sturdy work surface that will withstand the action of the mallet or hammer.

1. Using the sandpaper pieces included in this kit, remove all the fuzz and splinters on the perimeter of all the parts.
2. Lay out all the parts and get familiar with how they interlock and fit together. Refer to PARTS LIST on Page 9. The plywood parts are designed so they cannot be assembled in the wrong location. However, when you install the legs, you must make sure the proper legs are installed in the proper locations and that the leg braces are properly installed.
3. We will be assembling this module upside down, with the 24" x 48" deck on a sturdy work surface. This could be a table, workbench or the floor if it is flat. Select one of the deck supports and make sure the finger sizes match the slot sizes in the deck.

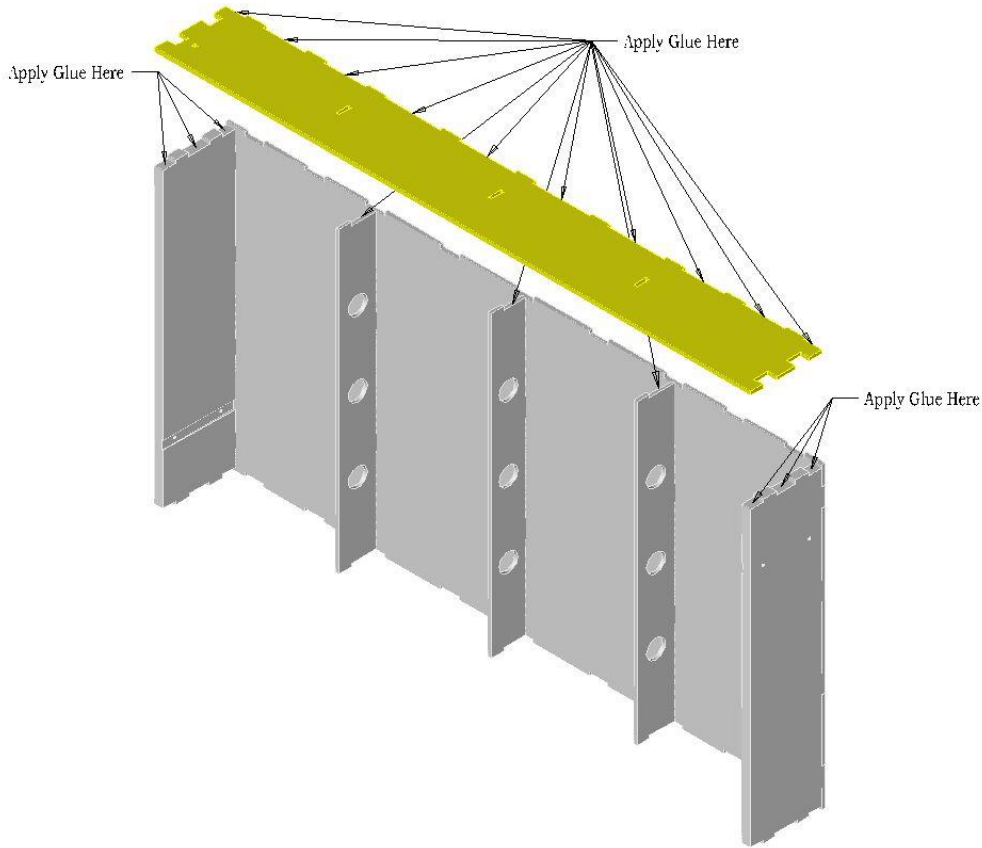
Spread glue on the edge of the deck support and install by placing one finger into the appropriate slot on the deck and tapping it into place. As you are doing this, guide the second finger into its slot and continue to tap the brace tight against the deck. Repeat this process for all three deck supports.



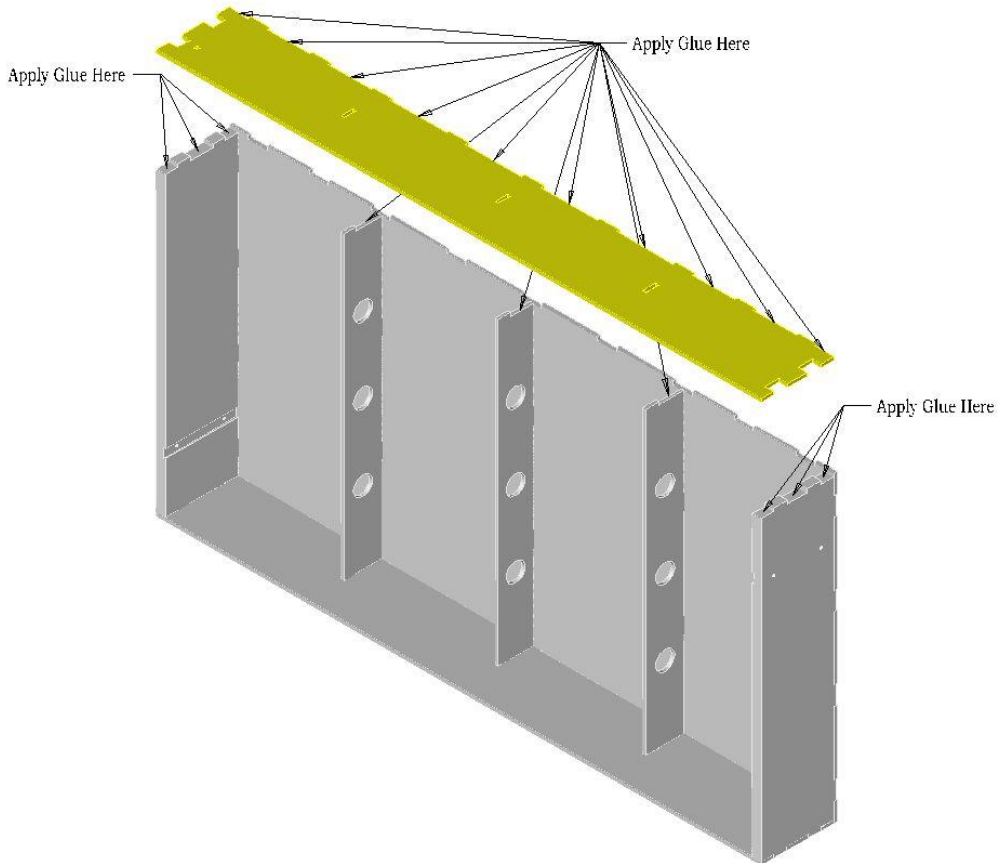
4. Locate and check fit of Module Ends to deck. Spread glue on surface of deck and matching parts of Module Ends as shown. Insert end finger of Module End and tap into slot in deck. Progress tapping down the width of the Module End until all fingers are fully seated into their slots. You may have to turn the assembly over and tap on the deck to get it to firmly seat into the Module End. Install the other Module End using the same technique.



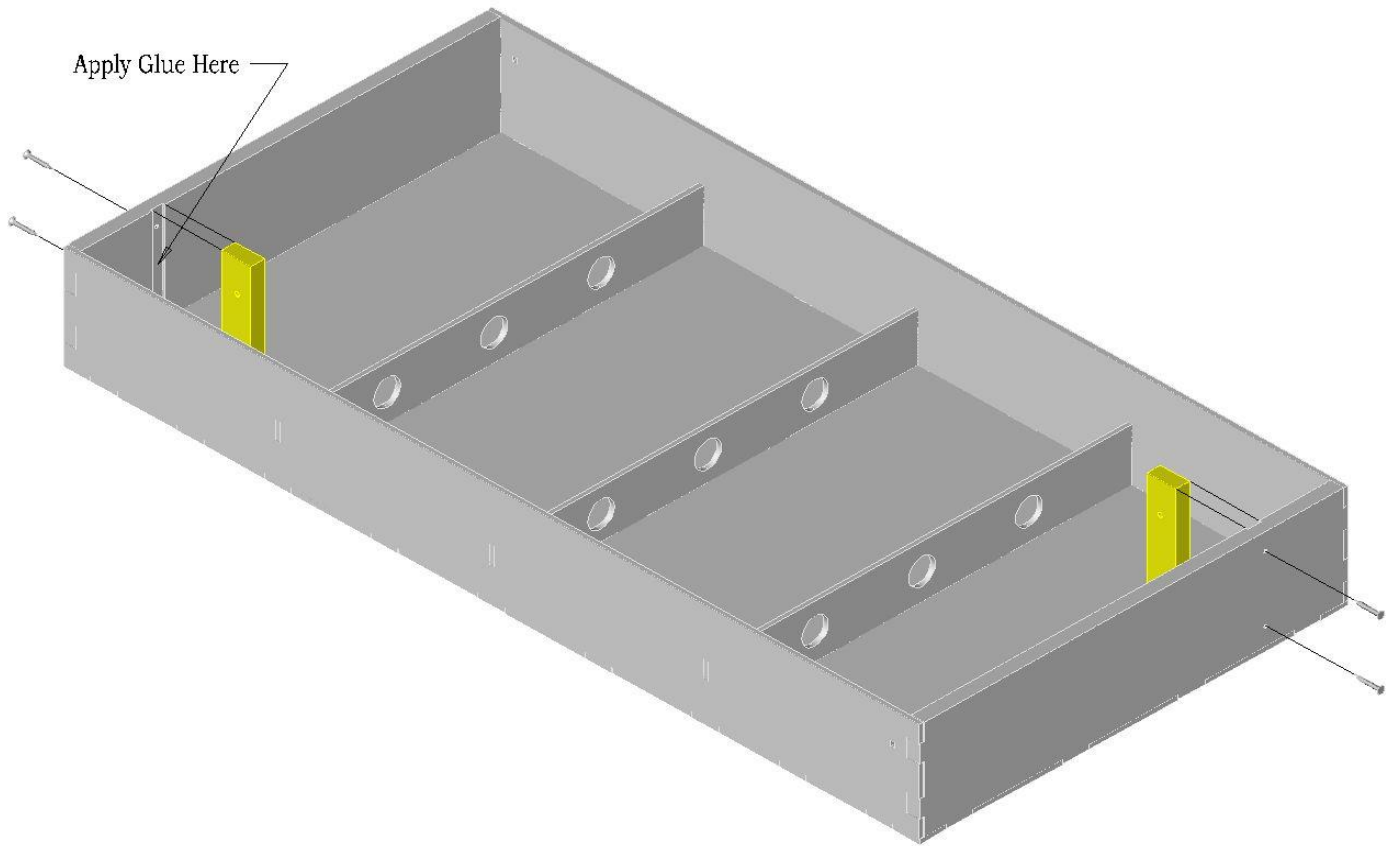
5. Turn the module assembly up on one side as shown below. Locate and check fit of Module Side to Deck, Deck Braces and Module Ends. Spread glue on surface of Module Ends, Module Side and Deck Braces as shown. Start fitting side with end and work your way toward the other end of the module as you tap the Module Side fingers into their slots.



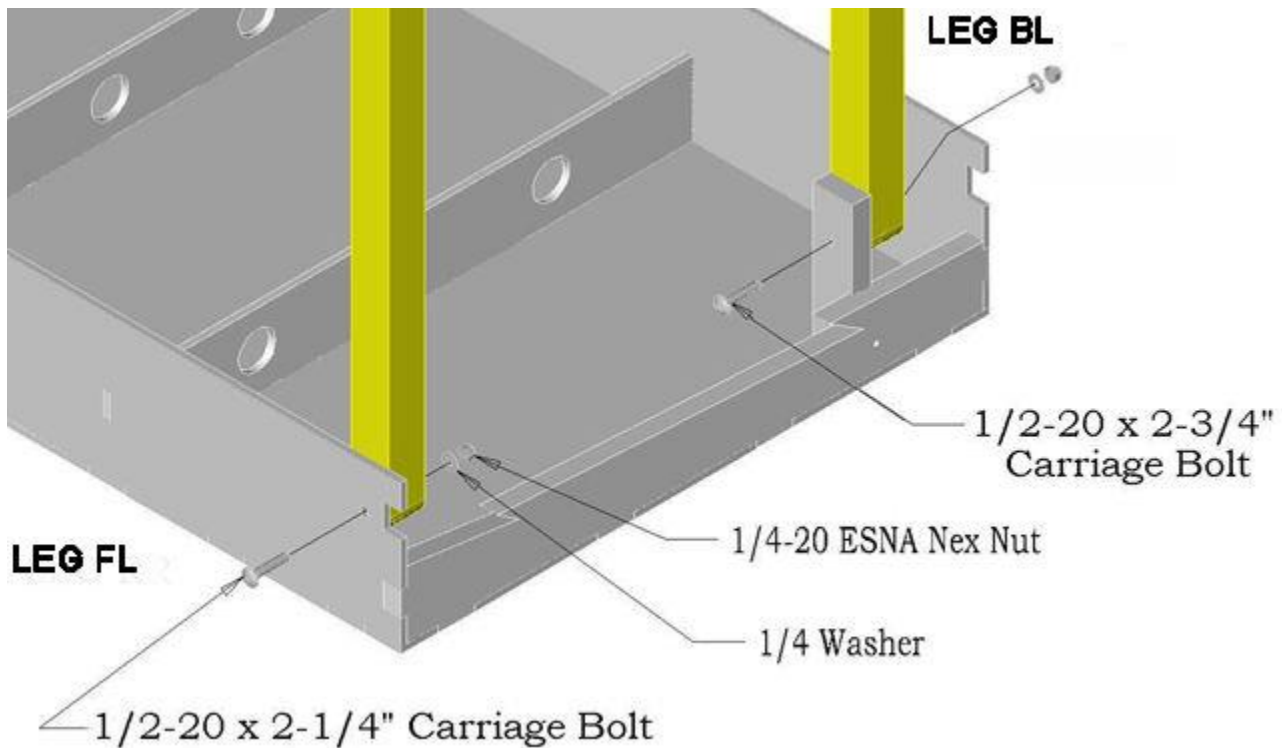
Turn the module assembly over and attach the other Module Side using the same technique.



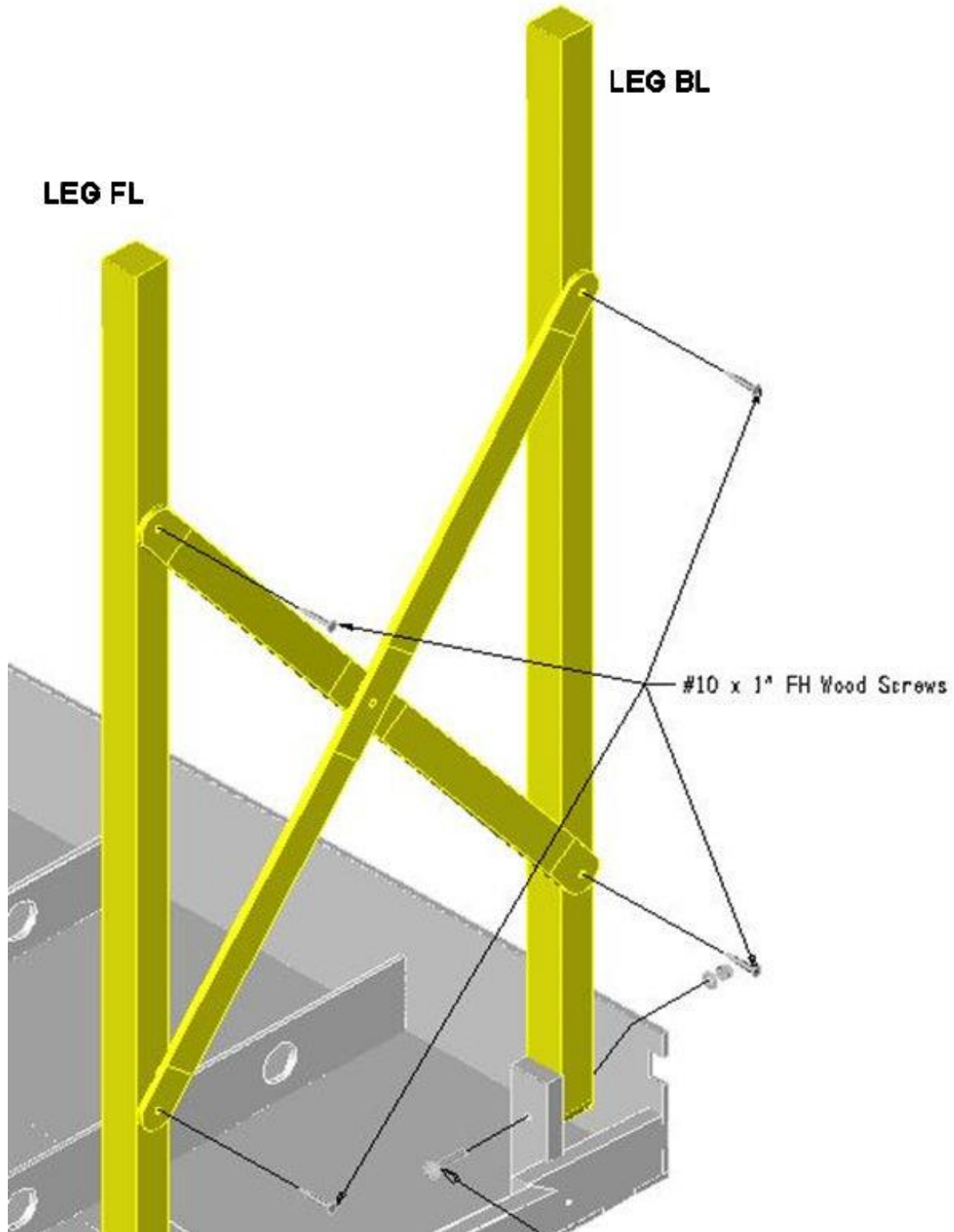
6. Turn module assembly back on its deck. Locate and check the fit of the Leg Pivot Blocks. Apply glue as shown and attach pivot blocks with 1-1/2" wood screws.



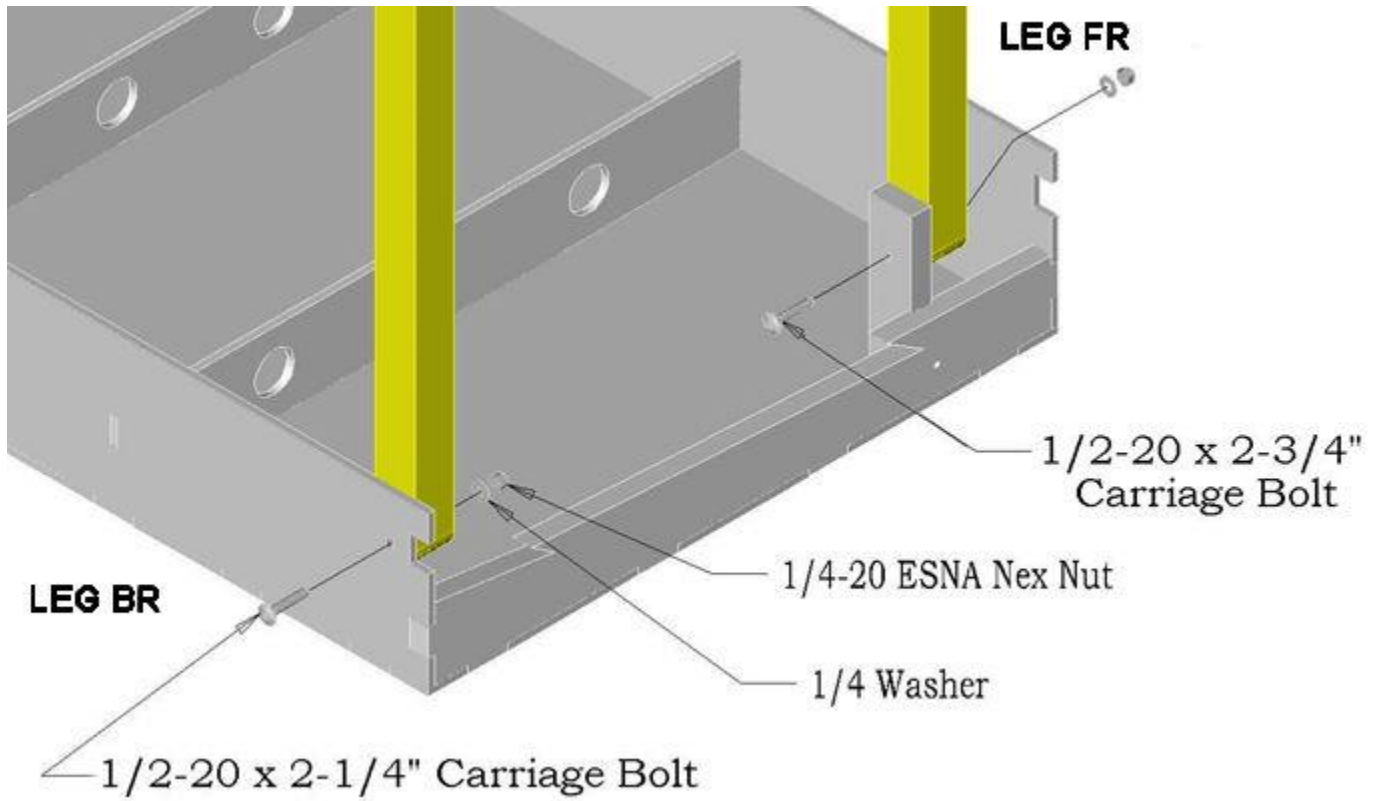
7. Attach LH Legs - Locate Legs labeled FL & BL and the hardware shown. Install them as shown below. Make sure the rounded corner on the end of the leg is oriented toward the outside of the module as shown. Tighten the hex nut snug but not so tight to keep the leg from pivoting.



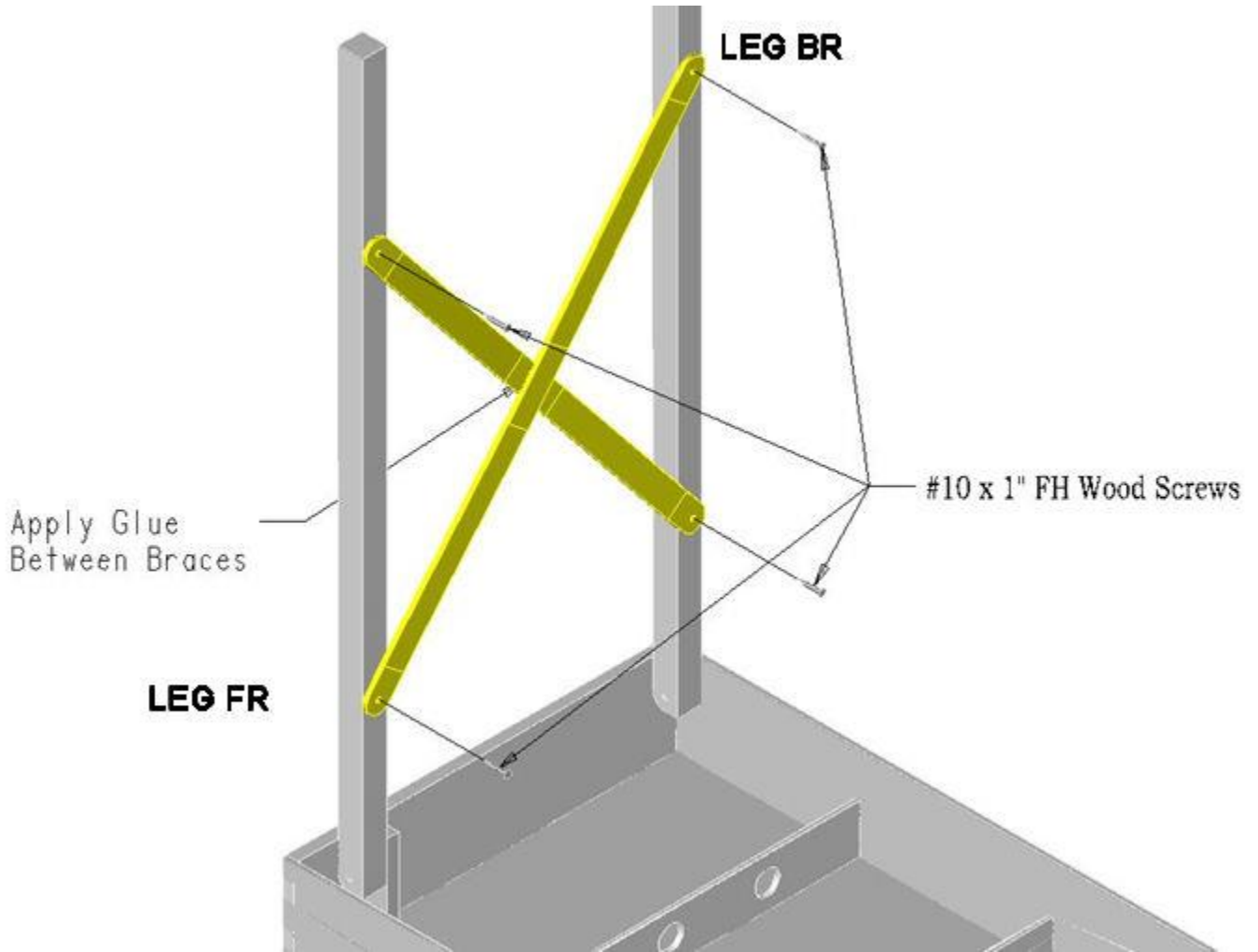
8. Attach braces to FL & BL Legs - Locate two of the long leg braces and four #10 x 1" FH Wood Screws. Attach first brace as shown, using pre-drilled holes in legs. Apply glue to the center portion of the second brace where it contacts the first brace. Attach second brace with screws. Apply a clamp to glue joint until glue has set.



9. Attach RH Legs - Locate legs labeled FR & BR and the hardware shown. Install them as shown below. Make sure the rounded corner on the end of the leg is oriented toward the outside of the module as shown. Tighten the hex nut snug but not so tight to keep the leg from pivoting.

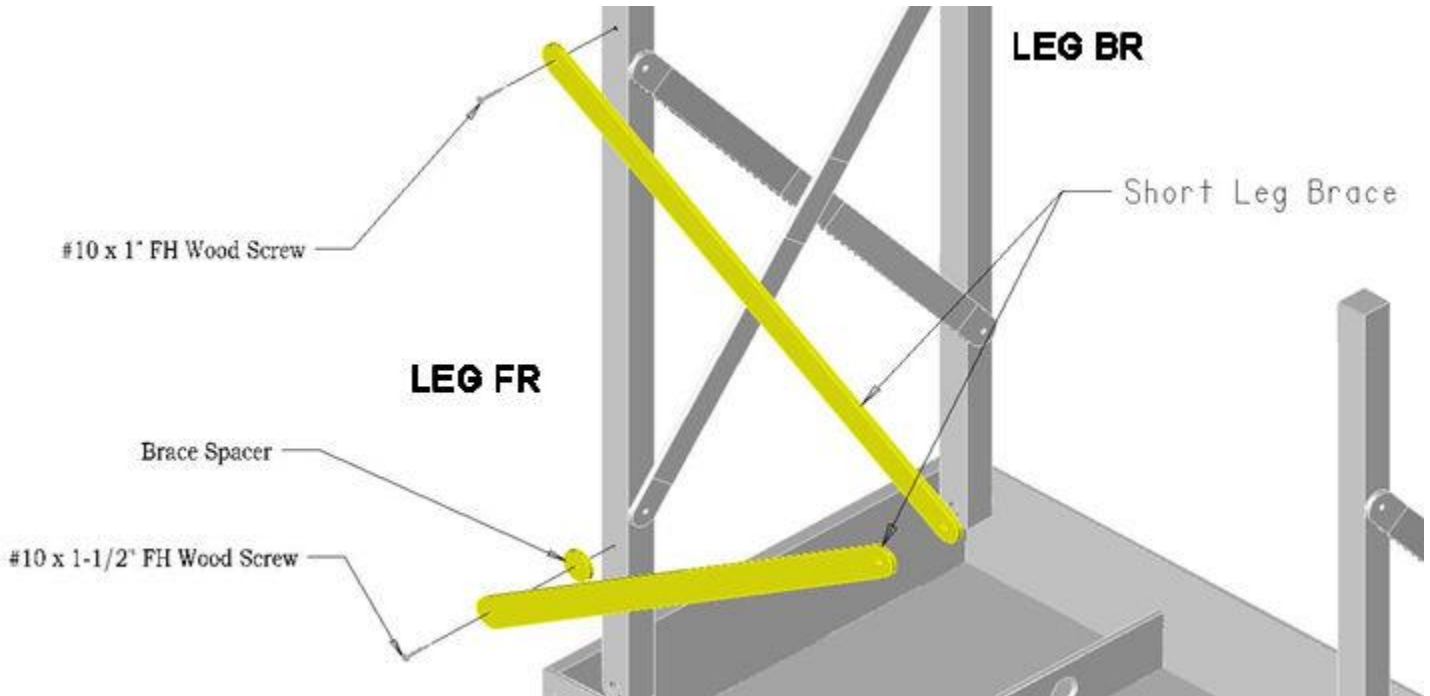


10. Attach bracing to right hand Legs - Locate two of the long leg braces and four #10 x 1" wood screws. Attach first brace as shown, using pre-drilled holes in legs. Apply glue to the center portion of the second brace where it contacts the first brace. Attach second brace with screws. Apply a clamp to glue joint until glue has set.

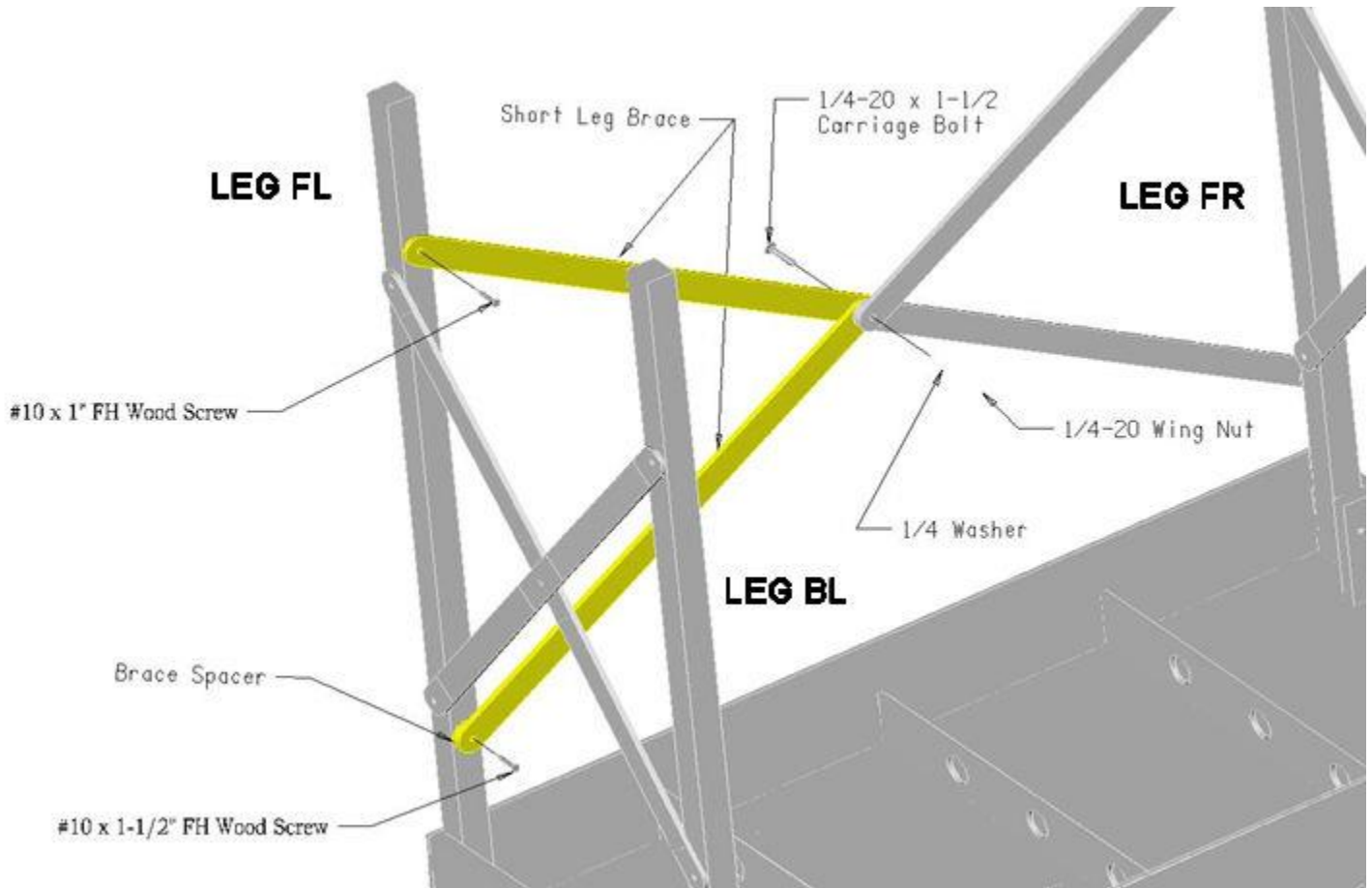




11. Attach Front Braces to RH Legs - Locate two of the short leg braces, one leg brace spacer and two #10 x 1-1/2" wood screws. Attach braces as shown, using pre-drilled holes in legs.



12. Attach Front Braces to LH Legs - Locate two of the short leg braces, one leg brace spacer and two #10 x 1-1/2" wood screws. Attach braces as shown, using pre-drilled holes in legs. Insert 1/2-20 x 1-1/4 carriage bolt into all four front leg braces and install 1/4" washer and 1/4-20 wing nut.





13. Insert Leg Leveler Screws into threaded inserts in ends of all four legs.

14. Turn module over and start laying track!

Parts List	
<b>24" x 48" FreeMo Module Kit</b>	
Qty	description
1	Deck
2	End Plates w/ steel pin, bushing a & threaded inserts
2	Leg Pivot Blocks
2	Side Plates
1	Deck Brace - center
2	Deck Braces
1	Leg - Front Right FR
1	Leg - Front Left FL
1	Leg - Back Right BR
1	Leg - Back Left BL
4	End Leg Braces - Long
4	Front Leg Braces - Short
2	End Protectors
1	Hardware Pack (contains the following)
4	1/4-20 x 3" Carriage Bolt with coated head
2	1/4-20 x 2-3/4" Carriage Bolt
2	1/4-20 x 2-1/4" Carriage Bolt
1	1/4-20 x 1-1/4" Carriage Bolt
4	1/4-20 x 1" Knurled Thumb Screw
5	1/4" Flat Washer
4	1/4-20 ESNA Hex Nut
1	1/4-20 Wing Nut
6	#10 x 1-1/2 FH Wood Screw
10	#10 x 1 FH Wood Screw
2	Front Leg Brace Spacer (round wooden disk)
2	Leg Retainers



Tips for finishing your modules.

1. Before painting, seal wood with a sanding sealer. We recommend using Zinzer Shellac thinned with denatured alcohol – one part shellac to one part alcohol. This can be easily and quickly brushed on in a well ventilated area. It should be dry for sanding within 15 minutes. We do not recommend sealing and painting the top surface of the module until after you have glued your roadbed and any other object that you plan to glue to the deck.

2. Be careful to not get paint on the locating pins and bushings on the module end plates.